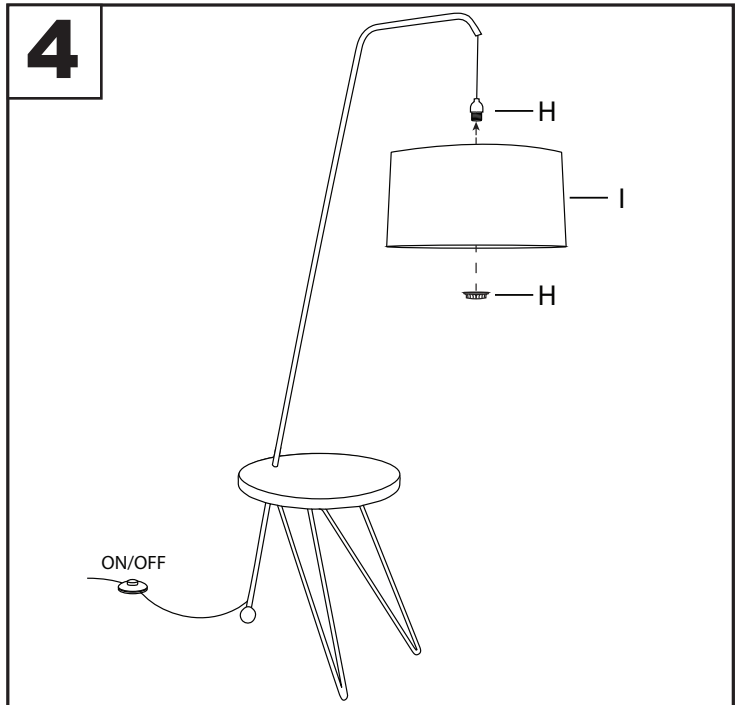
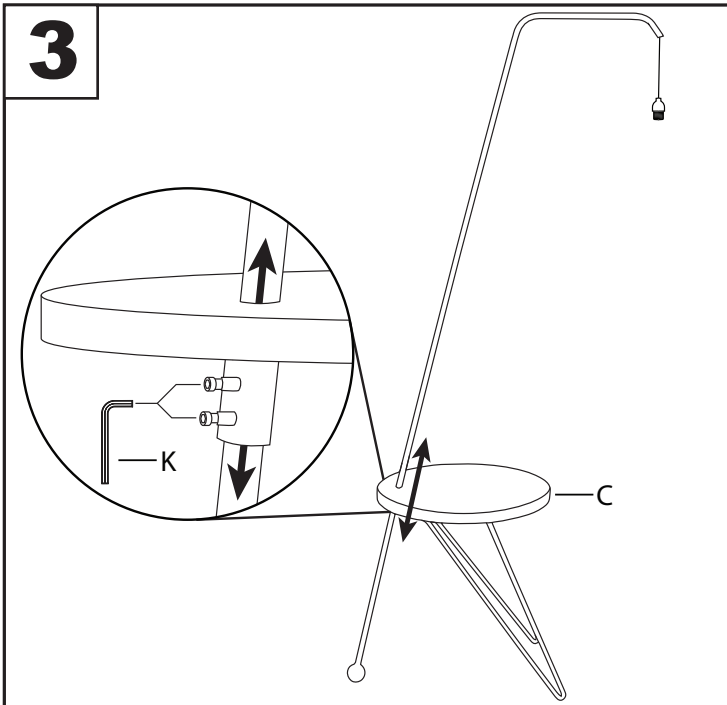
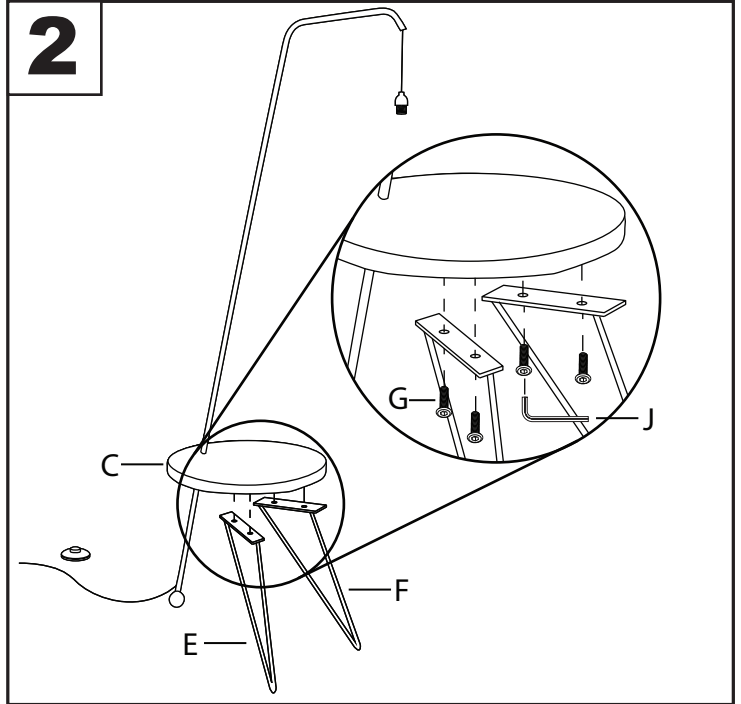
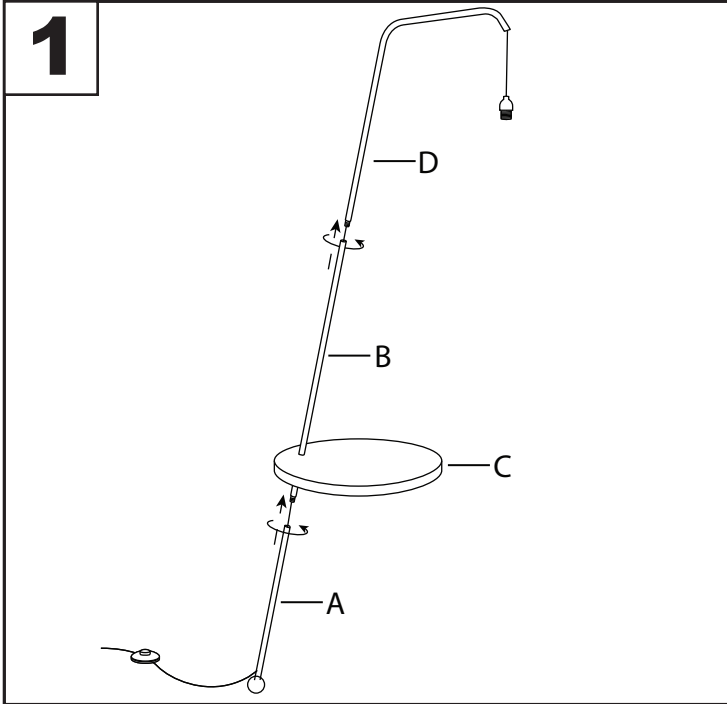
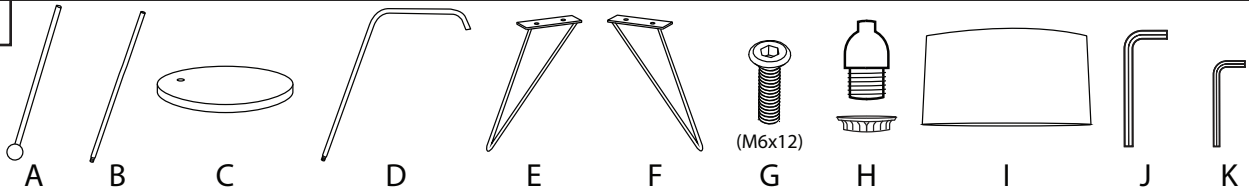


Stork Floor Lamp

Part # LS-STORK XX+XX

20-1029

PARTS



For indoor use only. Keep out of reach of children and animals. Place on flat surface and away from flammable materials. Never operate this appliance if it has a damaged cord, plug or cable. Keep cord away from heated and/or damp areas. Use 120V~60Hz, 40 watts (or LED equivalent) E26 bulb only.



Do not over tighten.
 Do not use power tools to assemble.